

Features & Benefits

- Easy to install LED luminaire, designed for exterior surfaces
- Low profile fixture that recesses 27mm into a Ø 40mm hole
- IP67 junction box included with each LED unit
- Powered by a 12V DC, short circuit protected LED driver
- Efficient SMD-LED that consumes only 0.3W of energy
- Cool to the touch; fixtures will not get hotter than 34°C
- UV-resistant lens and marine grade stainless steel (316) fixture
- “Walk/drive-over” construction, designed for loads up to 285kg
- Tested for operation conditions, ranging from -35°C to +65°C
- Available in LED colors: cool white, warm white, blue & amber

Applications

- Tile, stone, pavers & concrete
- Decking & deck tiles
- Boat docks & piers
- Sidewalks & driveways

Outdoor Basic

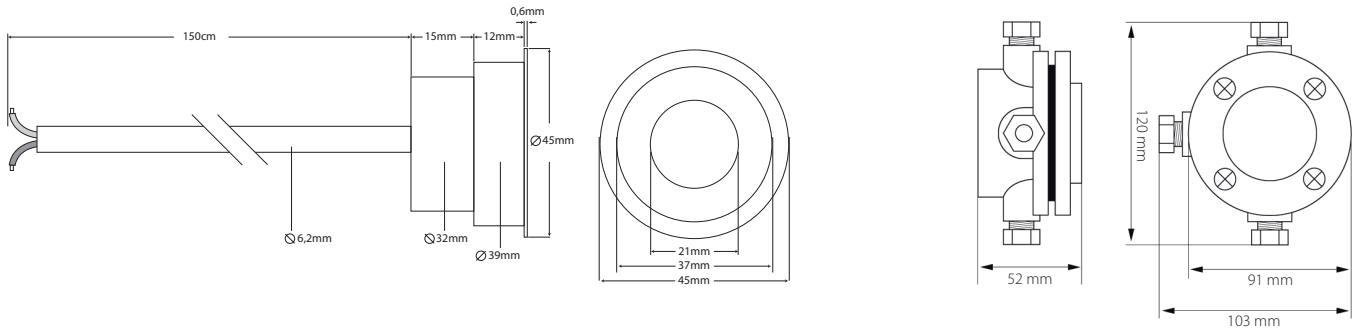
Eyeleds® Outdoor Basic is an innovative range of outdoor surface lighting, driven by energy efficient and long lasting LED technology. The range consists of architectural, recessed walk-over landscape lighting, and is available in the round lens style. Eyeleds® Outdoor is used as accent, orientation, marker, guide or night-lights in outdoor landscape designs, decking, pavers, tile, boat docks, piers, concrete sidewalks and driveways.

Eyeleds® Outdoor Basic, low profile LED light fixtures, install flush into most exterior surfaces. The fitting recesses into a 40mm diameter hole, drilled through the surface of the material. The fixtures are made of top quality materials and components that are resistant to corrosion and UV-radiation. The solid construction is engineered to withstand heavy use: walking or even driving over the lights is not a problem.

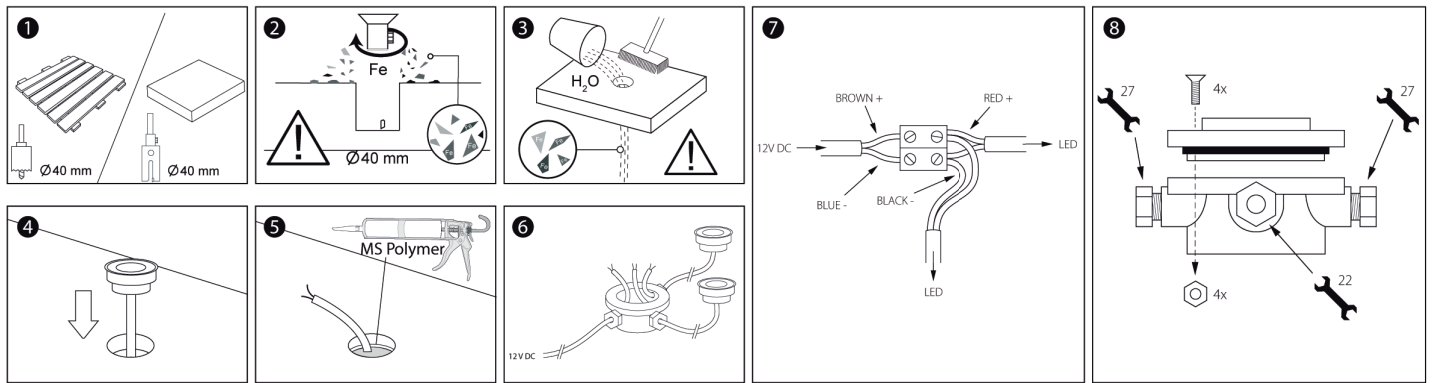
Specifications

Voltage	12V DC
Power Consumption	0,3W/25mA
Rated Life	up to 100.000 Hours
Materials	
Lens and Housing	UV Res. Polycarbonate
Trim Ring	Stainless Steel (INOX 316)
Cable	PUR
Cable	2x0,75 mm ²
Surface Temperature	Max. 34°C
Operating Temperature	-35°C to +65°C
Drive/Walkover Pressure	Max. 2850N/285kg
Warranty	5 Years Limited
Standards	CE
Environment	IP67 Outdoor Rated

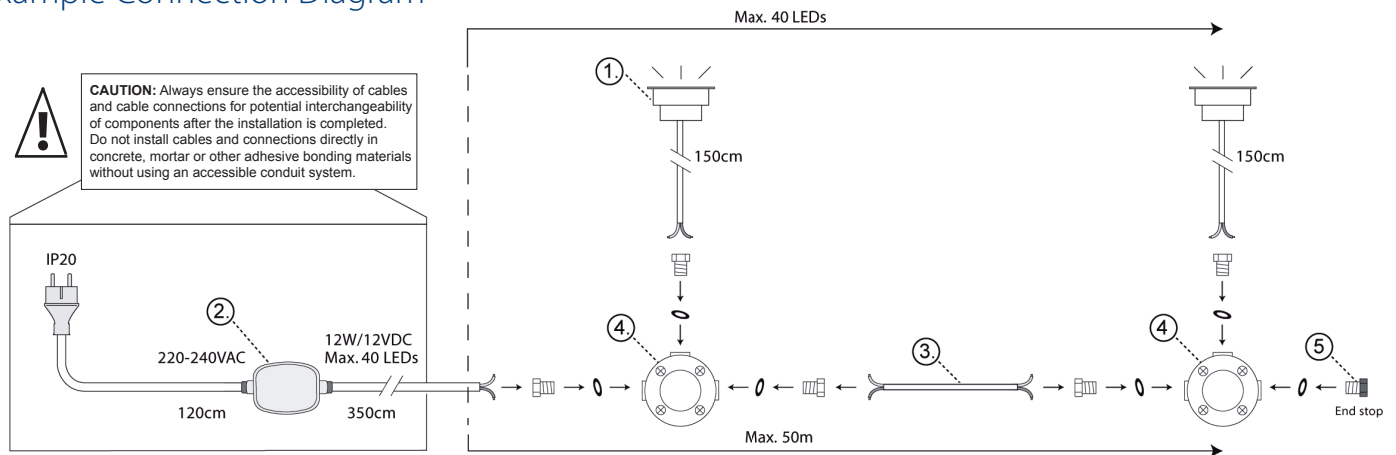
Dimensions



Installation



Example Connection Diagram



Ordering Information

Description	Finish / LED Colour	Ordering #	Accessory	Ordering #
LED Unit (1) + Connection Box (4)	Stainless Steel / Warm White LED	EOB-RWW-01	Power Supply EU 12V DC / 12W (2)	OBA-11000
LED Unit (1) + Connection Box (4)	Stainless Steel / Cool White LED	EOB-RCW-01	Connection Cable - 10m (3)	OBA-30000
LED Unit (1) + Connection Box (4)	Stainless Steel / Blue White LED	EOB-RBL-01	End Stop (5)	included
LED Unit (1) + Connection Box (4)	Stainless Steel / Amber White LED	EOB-RAM-01		